

## 682 Two Point Push Button Actuator

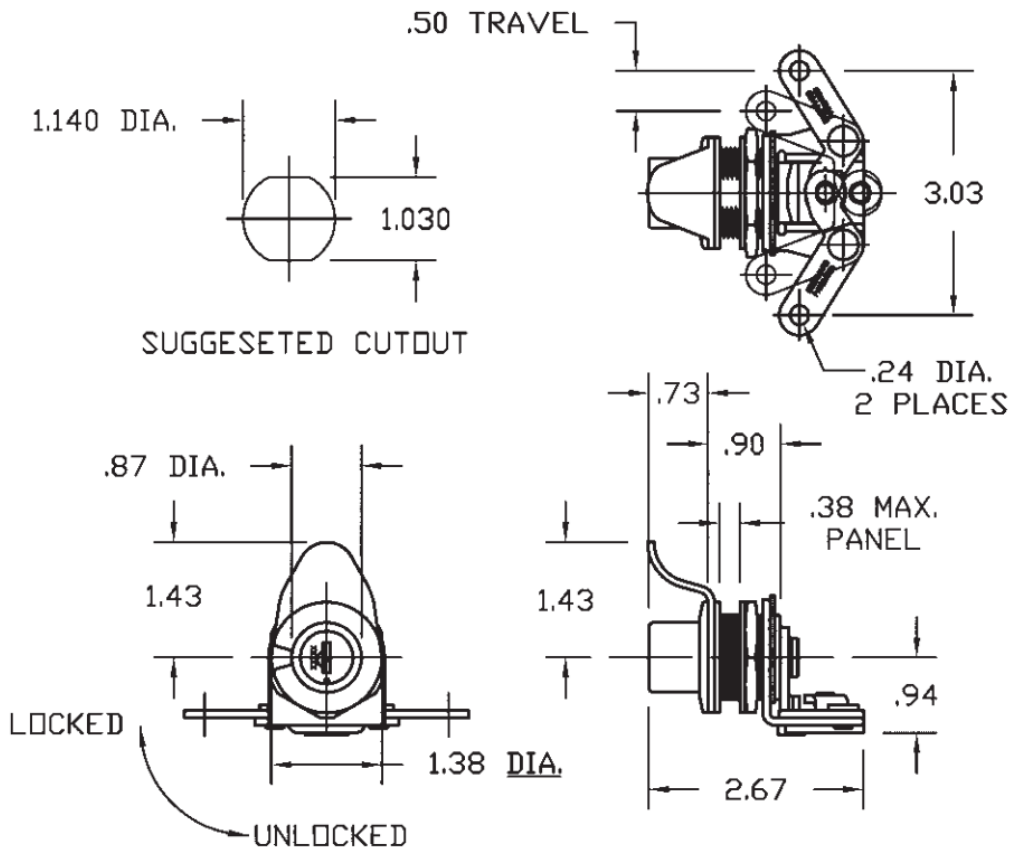
### Features

- Two-point push button lock designed for use with rods or cables, in conjunction with rotaries or end bolts
- Ideal uses are for truck toolboxes, covers, or compartment doors that require a finger pull for a firm grasp
- Maximum panel thickness is 3/8"
- Standard features include double-bitted automotive style keys, water-resistant design to prevent water intrusion into the compartment, and two gaskets



### Material

- Available in two finishes (31) black powder receptacle with chrome push button, (30) black powder receptacle and push button



Part No.	Finish
2-682-PK-30	Black powder receptacle and push button
2-682-PK-31	Black powder receptacle with chrome push button

Dimensions in inches